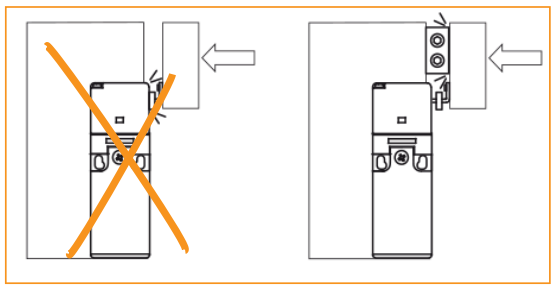
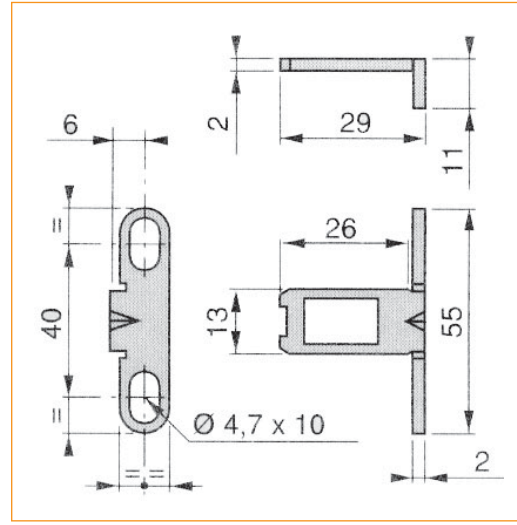
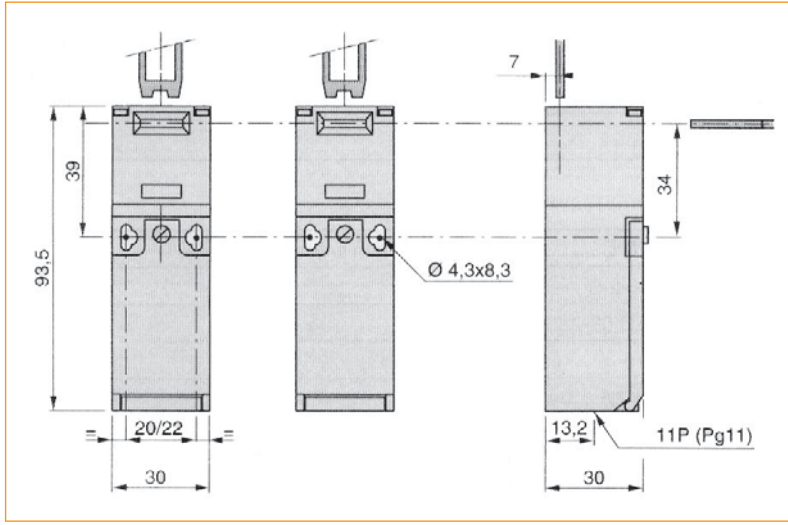
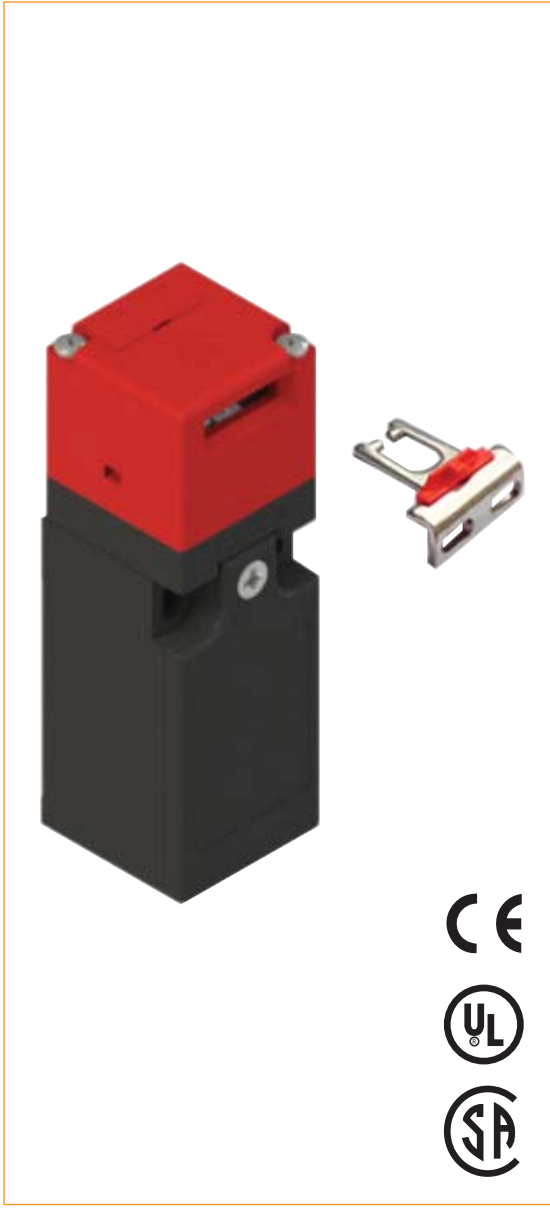


Draw contact waterproof + key

CAEC



Category of use :

Alternative : AC15 (50 ... 60 Hz)			
Ue (Vac)	250	400	500
Ie (A)	6	4	1
Continuous : DC13			
Ue (Vdc)	24	125	250
Ie (A)	6	1,1	0,4

Technical features :

- The devices have been designed according to the standards in force: IEC 60947, EN 60204, in order to ensure machine operator safety and the reliability of operation.
- Certified waterproof product : IP67
 - IEC 60 947-5-1, EN 60 647-5-1
 - UL 508
 - CSA 22.2 N. 14.
 - Minimum resistance to pulling out the key : 10N

